

RAM
FROM **TOWMATE**

GENERAL DUTY TRAILER

THE STANDARD RANGE





DEPENDABLE. VERSATILE. DURABLE.

The Ram General Duty Trailer. A universal solution for a variety of requirements.

Built from the ground up, the Ram general duty trailer is no pushover when it comes to hard work, sporting a tough galvanised steel frame and symbolising the durability and versatility you've come to expect from Towmate Trailers.

We've included some brand new innovations, that are unique to Towmate Trailers, including our unique hinged mesh sides, which are completely removable and provide easy access via the sides of the trailer.

Built Rugged. Built For You.

With a choice of three different lengths; 8, 10, or 12 foot, three different widths; 4, 5 or 6 foot, and a range of weight capacities available, there is a general purpose trailer for any requirement.



RAM GENERAL DUTY TRAILER

RAISING THE STANDARD.

At the heart of the Ram is a trailer designed to provide a pleasant towing experience. Its standard features ensures the Ram is always competent in every situation.



MODULAR CHASSIS

Our modular chassis design allows complete customisation to your needs with options that are available for add-on in the future.



EU APPROVED LIGHTING

All lights fitted to our trailers are EU approved. You have the option to upgrade to LED lighting. Lights shown in image are LED.

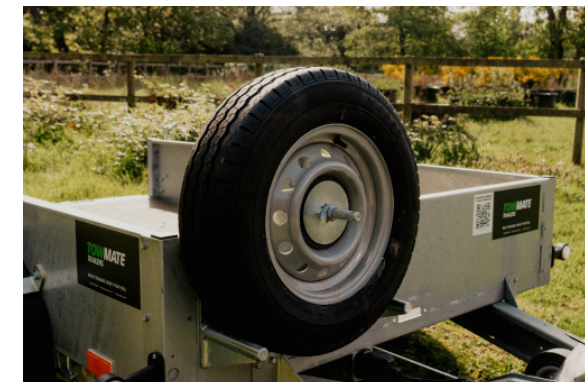


FULLY TYPE APPROVED

The full range of our Ram General Duty trailers are fully type approved with VCA accreditation.

SPARE WHEEL CARRIER

Mounted conveniently on the front headboard of the trailer. Lockable to increase security.





◀ **2.5T RATED LASHING POINTS**

8 lashing points, rated at 2.5t each provide multiple tie down points. Engineered so they tuck out of the way when not in use, these hooks provide a clear deck which is easy to clean.



◀ **STANDARD TAILGATE**

Our standard tailgate is manufactured from galvanised steel and quickly and easily secured on both sides by a lynch pin fastener.



1 YEAR WARRANTY

Our Ram standard range comes with a 1-year warranty. Terms and conditions apply.

▶ **PLYWOOD FLOOR**

The Ram comes with heavy duty phenolic birch plywood flooring as standard. Great for chemical and weather resistance.

HEAVY DUTY RUNNING GEAR

The running gear is one of the key components to ensure your trailer runs as smoothly as possible. The Ram features standard 5-stud configuration hubs with a heavy duty SFL (sealed for life) bearing for durability and ease of maintenance.



◀ **340MM STEEL SIDES**

A full set of 340mm high sides constructed from galvanised steel, provides a strong, durable base for the mesh kit. Supports the carrying of a variety of loads.

RAM GENERAL DUTY TRAILER

DO IT BETTER.

The Ram general duty trailer has a variety of options available for upgrade or add on where needed. From our unique hinged mesh sides, to our 2-in-1 wheel nut indicator and retainer system - we've got you covered.

► **UNIQUE HINGED MESH SIDES**

Our mesh side kit includes a unique hinged system, designed and engineered by our in-house R&D team. Each panel secures and latches to a centre post using a robust system to ensure a quiet ride. Both sides and centre posts are completely removable without the use of any tools to transform the trailer for different uses. Made from galvanised steel for durability and strength.



◀ **MANUAL OR ELECTRIC WINCH**

Manual or electric winch positioned either side of the trailer to ensure safe and easy use. Mounted low down with a roller guide it ensures practical loading all the way to the front of the bed.

► **REAR PROPSTANDS**

Propstands provide added support to both trailer and ramp when loading heavy machinery and equipment from the rear



► **WHEELSENTRY INDICATORS**

Our 2-in-1 wheel nut indicator and retainer system is available for add on to your Ram trailers. Recommended to ensure reduced risk of wheel loss.





▲ **LED DUAL VOLTAGE LIGHTING**

You have the option to upgrade your Ram to have fully LED dual voltage lights. LED lights are more energy efficient, brighter and more resistant to shattering.

▶ **IT'S YOUR CHOICE!**

Choose between a 40mm eye or a 50mm ball coupling at no extra cost! Our 50mm ball coupling comes with high security lock with extra peace of mind.



▲ **FULL-WIDTH RAMP**

The Ram comes with two options: 1400mm full width ramp or standard tailgate. The full-width ramp is fully gas-assisted, making lifting and lowering the ramp truly a one-man operation.



▶ **RAMP FASTENER**

The threaded ramp fastener offers better holding than ACME thread with additional locking pin and rubber buffer for a safe and quiet ride.



◀ **LADDER RACK**

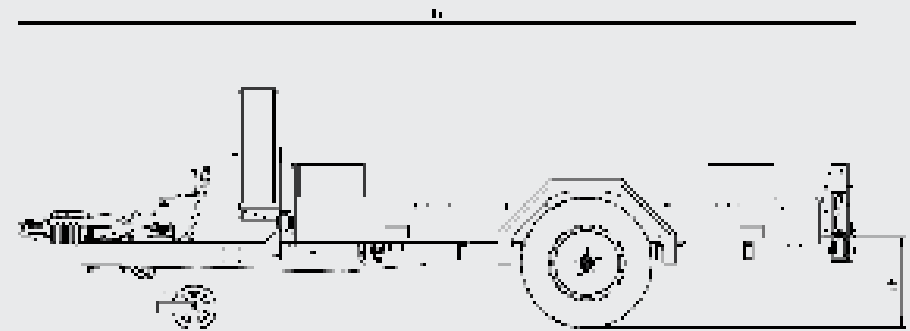
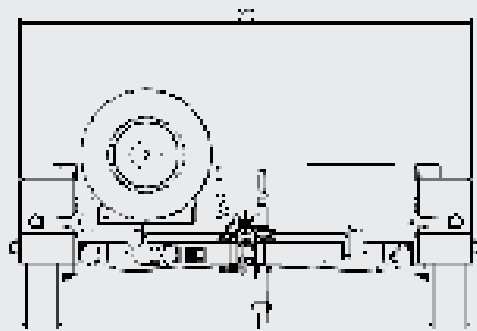
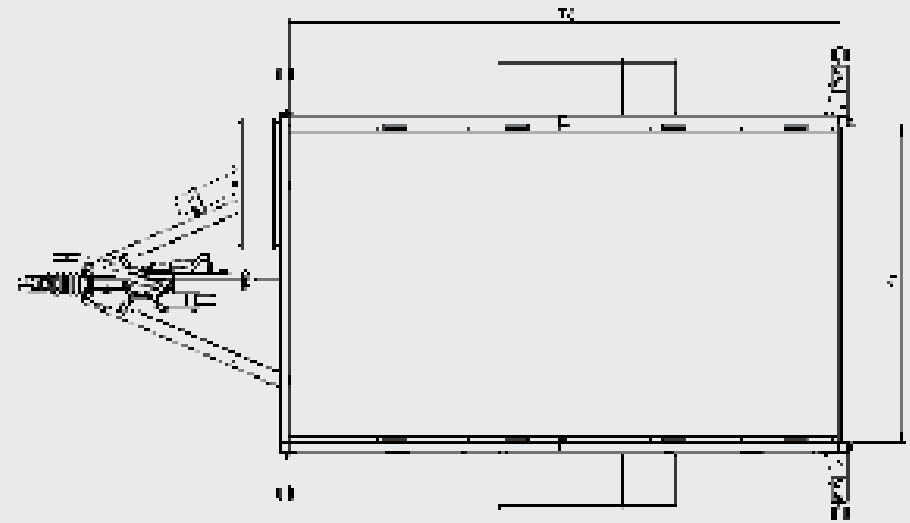
You can add a ladder rack to your trailer along with the mesh sides or by itself.



DIMENSIONS

SINGLE AXLE.

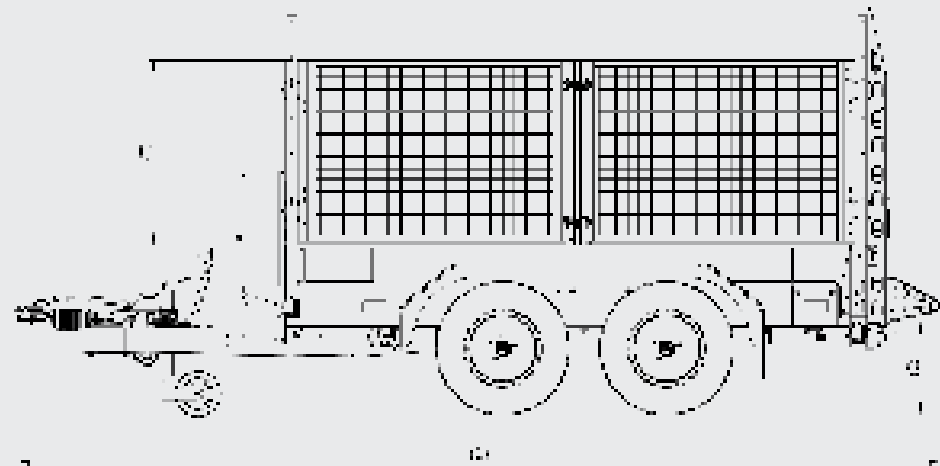
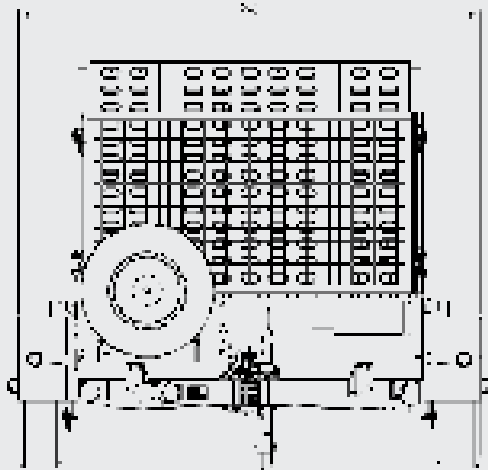
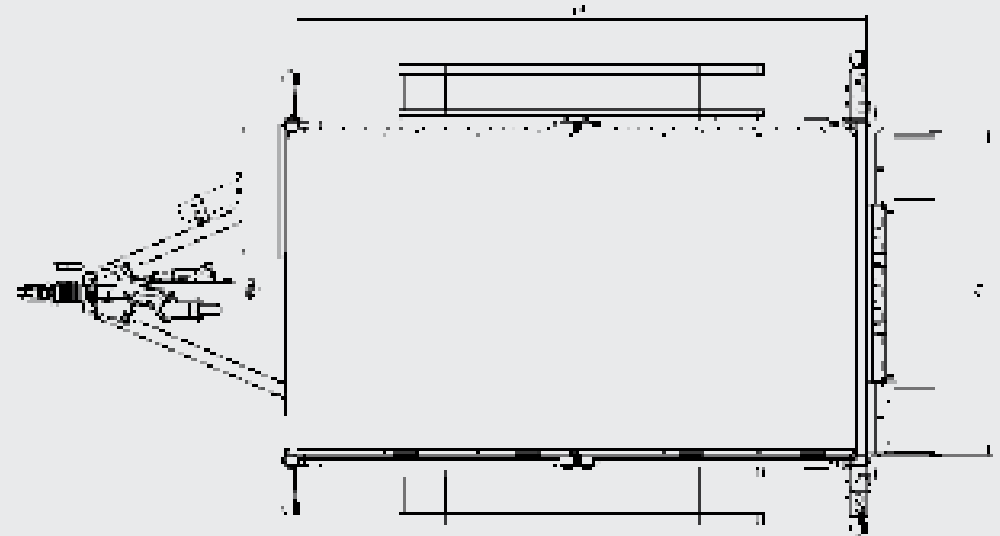
- (A) Internal Width (mm)
- (B) Internal Length (mm)
- (C) Overall Width (mm)
- (D) Overall Length (mm)
- (E) Bed Height (mm)



DIMENSIONS

TWIN AXLE.

- (A) Internal Width (mm)
- (B) Internal Length (mm)
- (C) Overall Width (mm)
- (D) Overall Length (mm)
- (E) Bed Height (mm)
- (F) Mesh Side Kit Height (mm)





TECHNICAL SPECIFICATION

8' LONG

	TGD084-15	TGD084-15FWR	TGD084-18	TGD084-18FWR	TGD085-15	TGD085-15FWR	TGD085-18	TGD085-18FWR
CAPACITY								
Gross (KG)	1500	1500	1800	1800	1500	1500	1800	1800
Payload KG (standard spec)	1068	1010	1368	1310	1044	980	1344	1280
Unladen Weight KG (standard spec)	432	490	432	490	456	520	456	520
DIMENSIONS								
(A) Internal Width (mm)	1180	1180	1180	1180	1430	1430	1430	1430
(B) Internal Length (mm)	2465	2465	2465	2465	2465	2465	2465	2465
(C) Overall Width (mm)	1820	1820	1820	1820	2070	2070	2070	2070
(D) Overall Length (mm)	3776	3776	3776	3776	3776	3776	3776	3776
Side Height (mm)	340	340	340	340	340	340	340	340
(E) Bed Height (mm)	395	395	395	395	395	395	395	395
(F) Mesh Side Kit Height (mm)	810	810	810	810	810	810	810	810
RUNNING GEAR								
Axles	1	1	1	1	1	1	1	1
185/70 R13 Wheel & Tyre Assembly	●	●	●	●	●	●	●	●
Spare Wheel & Carrier	●	●	●	●	●	●	●	●
Recessed Lashing Rings (4 pairs)	●	●	●	●	●	●	●	●
Cast Steel Coupling Head	No Cost Option	No Cost Option	No Cost Option	No Cost Option	No Cost Option	No Cost Option	No Cost Option	No Cost Option
40mm Eye Coupling	No Cost Option	No Cost Option	No Cost Option	No Cost Option	No Cost Option	No Cost Option	No Cost Option	No Cost Option
Wheel Sentry®	○	○	○	○	○	○	○	○
Pair of Rear Propstands	○	○	○	○	○	○	○	○

● Standard Equipment ○ Optional Equipment — Not available

TECHNICAL SPECIFICATION

8' LONG

	TGD084-15	TGD084-15FWR	TGD084-18	TGD084-18FWR	TGD085-15	TGD085-15FWR	TGD085-18	TGD085-18FWR
BED & REAR LOADING								
Plywood Flooring	●	●	●	●	●	●	●	●
Standard tailgate	●	-	●	-	●	-	●	-
1400 Full Width Ramp	-	●	-	●	-	●	-	●
Gas-assisted ramps (for full width ramps)	-	Standard on full-width ramp	-	Standard on full-width ramp	-	Standard on full-width ramp	-	Standard on full-width ramp
ADDITIONAL OPTIONS								
Ladder Rack	○	○	○	○	○	○	○	○
Hinged Mesh Side Kit	○	○	○	○	○	○	○	○
Electric or Manual Winch	○	○	○	○	○	○	○	○

● Standard Equipment ○ Optional Equipment — Not available

TECHNICAL SPECIFICATION

8' LONG

	TGD084-27	TGD084-27FWR	TGD085-27	TGD085-27FWR
CAPACITY				
Gross (KG)	2700	2700	2700	2700
Payload KG (standard spec)	2210	2152	2186	2122
Unladen Weight KG (standard spec)	490	548	514	578
DIMENSIONS				
(A) Internal Width (mm)	1180	1180	1430	1430
(B) Internal Length (mm)	2465	2465	2465	2465
(C) Overall Width (mm)	1820	1820	2070	2070
(D) Overall Length (mm)	3776	3776	3776	3776
Side Height (mm)	340	340	340	340
(E) Bed Height (mm)	395	395	395	395
(F) Mesh Side Kit Height (mm)	810		810	
RUNNING GEAR				
Axles	2	2	2	2
165 R13 8 Ply Wheel & Tyre Assembly	●	●	●	●
Spare Wheel & Carrier	●	●	●	●
Recessed Lashing Rings (4 pairs)	●	●	●	●
Cast Steel Coupling Head	No Cost Option	No Cost Option	No Cost Option	No Cost Option
40mm Eye Coupling	No Cost Option	No Cost Option	No Cost Option	No Cost Option
Wheel Sentry®	○	○	○	○
Pair of Rear Propstands	○	○	○	○

● Standard Equipment ○ Optional Equipment — Not available

TECHNICAL SPECIFICATION

8' LONG

	TGD084-27	TGD084-27FWR	TGD085-27	TGD085-27FWR
BED & REAR LOADING				
Plywood Flooring	●	●	●	●
Standard tailgate	●	-	●	-
1400 Full Width Ramp	-	●	-	●
Gas-assisted ramps (for full width ramps)	-	Standard on full-width ramp	-	Standard on full-width ramp
ADDITIONAL OPTIONS				
Ladder Rack	○	○	○	○
Hinged Mesh Side Kit	○	○	○	○
Electric or Manual Winch	○	○	○	○

● Standard Equipment ○ Optional Equipment — Not available



TECHNICAL SPECIFICATION

10' LONG

	TGD105-27	TGD105-27FWR	TGD105-35	TGD105-35FWR	TGD106-27	TGD106-27FWR	TGD106-35	TGD106-35FWR
CAPACITY								
Gross kg	2700	2700	3500	3500	2700	2700	3500	3500
Payload kg (standard spec)	2150	2086	2890	2826	2126	2053	2866	2793
Unladen Weight kg (standard spec)	550	614	610	674	574	647	634	707
DIMENSIONS								
(A) Internal Width (mm)	1430	1430	1430	1430	1730	1730	1730	1730
(B) Internal Length (mm)	2965	2965	2965	2965	2965	2965	2965	2965
(C) Overall Width (mm)	2070	2070	2070	2070	2370	2370	2370	2370
(D) Overall Length (mm)	4273	4273	4273	4273	4273	4273	4273	4273
Side Height (mm)	340	340	340	340	340	340	340	340
(E) Bed Height (mm)	395	395	395	395	395	395	395	395
(F) Mesh Side Kit Height (mm)	810	810	810	810	810	810	810	810
RUNNING GEAR								
Axles	2	2	2	2	2	2	2	2
165 R13 8 Ply Wheel & Tyre Assembly	●	●	-	-	●	●	-	-
185/70 R13 Wheel & Tyre Assembly	-	-	●	●	-	-	●	●
Spare Wheel	●	●	●	●	●	●	●	●
Recessed Lashing Rings (4 pairs)	●	●	●	●	●	●	●	●
Cast Steel Coupling Head	No Cost Option	No Cost Option	No Cost Option	No Cost Option	No Cost Option	No Cost Option	No Cost Option	No Cost Option
40mm Eye Coupling	No Cost Option	No Cost Option	No Cost Option	No Cost Option	No Cost Option	No Cost Option	No Cost Option	No Cost Option
Wheel Sentry®	○	○	○	○	○	○	○	○
Pair of Rear Propstands	○	○	○	○	○	○	○	○

● Standard Equipment ○ Optional Equipment — Not available

TECHNICAL SPECIFICATION

10' LONG

	TGD105-27	TGD105-27FWR	TGD105-35	TGD105-35FWR	TGD106-27	TGD106-27FWR	TGD106-35	TGD106-35FWR
BED & REAR LOADING								
Plywood Flooring	●	●	●	●	●	●	●	●
Standard tailgate	●	-	●	-	●	-	●	-
1400 Full Width Ramp	-	●	-	●	-	●	-	●
Gas-assisted ramps (for full width ramps)	-	Standard on full-width ramp	-	Standard on full-width ramp	-	Standard on full-width ramp	-	Standard on full-width ramp
ADDITIONAL OPTIONS								
Ladder Rack	○	○	○	○	○	○	○	○
Hinged Mesh Side Kit	○	○	○	○	○	○	○	○
Electric or Manual Winch	○	○	○	○	○	○	○	○

● Standard Equipment ○ Optional Equipment — Not available

TECHNICAL SPECIFICATION

12' LONG

	TGD125-27	TGD125-27FWR	TGD125-35	TGD125-35FWR	TGD126-27	TGD126-27FWR	TGD126-35	TGD126-35FWR
CAPACITY								
Gross kg	2700	2700	3500	3500	2700	2700	3500	3500
Payload kg (standard spec)	2115	2051	2855	2791	2089	2016	2829	2756
Unladen Weight kg (standard spec)	585	649	645	709	611	684	671	744
DIMENSIONS								
(A) Internal Width (mm)	1430	1430	1430	1430	1730	1730	1730	1730
(B) Internal Length (mm)	3580	3580	3580	3580	3580	3580	3580	3580
(C) Overall Width (mm)	2070	2070	2070	2070	2370	2370	2370	2370
(D) Overall Length (mm)	4886	4886	4886	4886	4886	4886	4886	4886
Side Height (mm)	340	340	340	340	340	340	340	340
(E) Bed Height (mm)	395	395	395	395	395	395	395	395
(F) Mesh Side Kit Height (mm)	810	810	810	810	810	810	810	810
RUNNING GEAR								
Axles	2	2	2	2	2	2	2	2
165 R13 Wheel & Tyre Assembly	●	●	-	-	●	●	-	-
185/70 R13 Wheel & Tyre Assembly	-	-	●	●	-	-	●	●
Spare Wheel & Carrier	●	●	●	●	●	●	●	●
2.5T Rated Lashing Points (4 pairs)	●	●	●	●	●	●	●	●
Cast Steel Coupling Head	No Cost Option	No Cost Option	No Cost Option	No Cost Option	No Cost Option	No Cost Option	No Cost Option	No Cost Option
40mm Eye Coupling	No Cost Option	No Cost Option	No Cost Option	No Cost Option	No Cost Option	No Cost Option	No Cost Option	No Cost Option
Wheel Sentry®	○	○	○	○	○	○	○	○
Pair of Rear Propstands	○	○	○	○	○	○	○	○

● Standard Equipment ○ Optional Equipment — Not available

TECHNICAL SPECIFICATION

12' LONG

	TGD125-27	TGD125-27FWR	TGD125-35	TGD125-35FWR	TGD126-27	TGD126-27FWR	TGD126-35	TGD126-35FWR
BED & REAR LOADING								
Plywood Flooring	●	●	●	●	●	●	●	●
Standard tailgate	●	-	●	-	●	-	●	-
1400 Full Width Ramp	-	●	-	●	-	●	-	●
Gas-assisted ramps (for full width ramps)	Standard on full-width ramp	Standard on full-width ramp	Standard on full-width ramp	Standard on full-width ramp	Standard on full-width ramp	Standard on full-width ramp	Standard on full-width ramp	Standard on full-width ramp
ADDITIONAL OPTIONS								
Ladder Rack	○	○	○	○	○	○	○	○
Hinged Mesh Side Kit	○	○	○	○	○	○	○	○
Electric or Manual Winch	○	○	○	○	○	○	○	○

● Standard Equipment ○ Optional Equipment — Not available

PRO SUPPORT

OUR AFTERSALES PACKAGE.

PROFUND

Looking to spread the cost? Finance is a simple, easy and competitive way to acquire your new trailer. We offer finance options across our range to help you get the equipment you need, when you need it. We can tailor our deals to suit your requirements - be it hire purchase, lease or whatever works best for your business. Get in touch with us today to find out how we can support your trailer needs! Email sales@towmatetrailers.com or call us on 01206 589550. Terms and conditions apply.

WARRANTY

We believe in supporting our customers from point of purchase, all the way through to maintenance and repair. Our team are here to help you get the most out of your product. Towmate warranty is a no quibble warranty. Providing genuine Towmate parts are purchased, and the trailer is maintained with our recommended service schedule, your Towmate product is covered. We offer a 1-year warranty on our Standard range. Terms and conditions apply.

SERVICING

We know how important it is to keep your trailers running and transporting your equipment and machinery to site. Ensuring your trailer stays safe and road worthy means regular servicing is necessary and essential. That's why we offer a comprehensive service package, freeing you up to spend time on what you do best - serving your customers. We take the hassle and headache out of maintenance, helping you to run efficiently, minimise your downtime and keep your trailers running - day-in, day-out. Our parts are available for despatch on next working day delivery from our sister company ATE (UK) Ltd. Get in contact today to find out more how we can help you!





TOWMATE TRAILERS

HEAD OFFICE:

Towmate Trailers Ltd,
Whitehall Road, Colchester
Essex,
CO2 8WA

T: 01206 484530

E: sales@towmatetrailers.co.uk

www.towmatetrailers.co.uk

